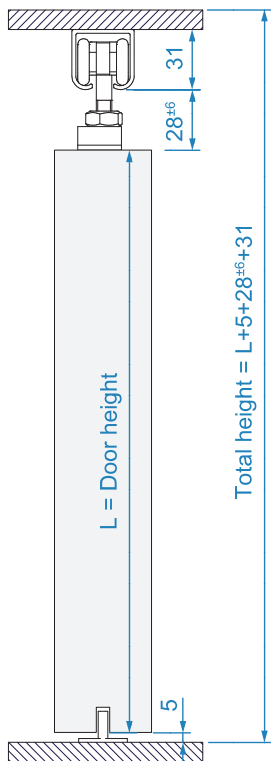
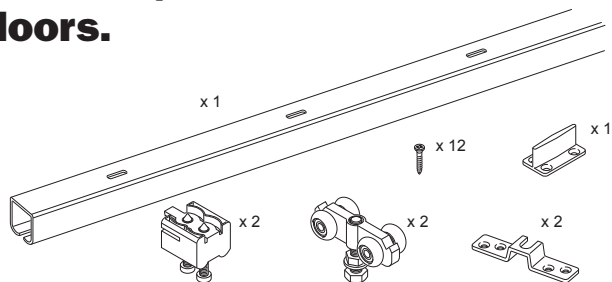
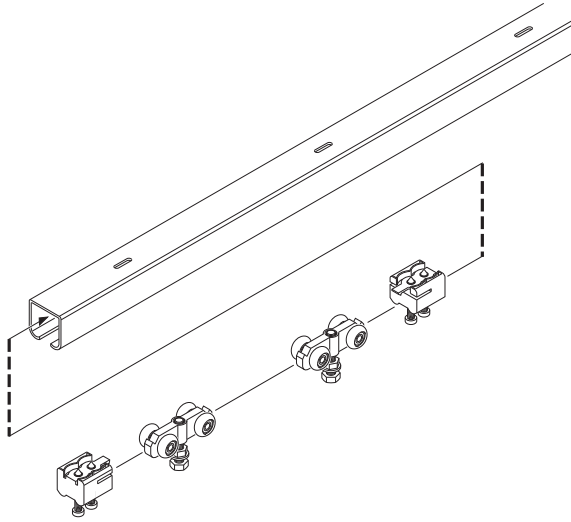


# Sliding door system | RG-310 for Wooden doors.

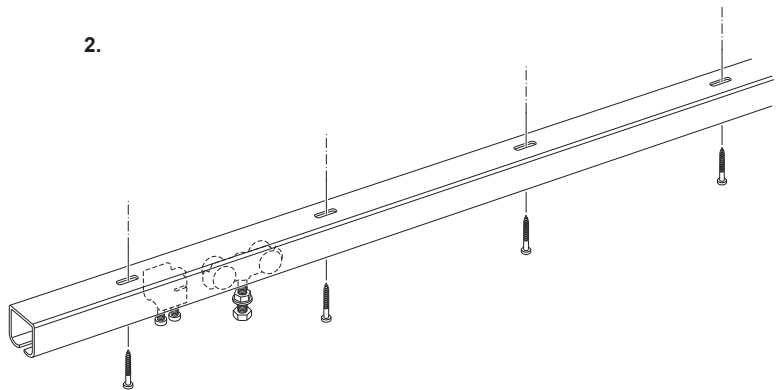


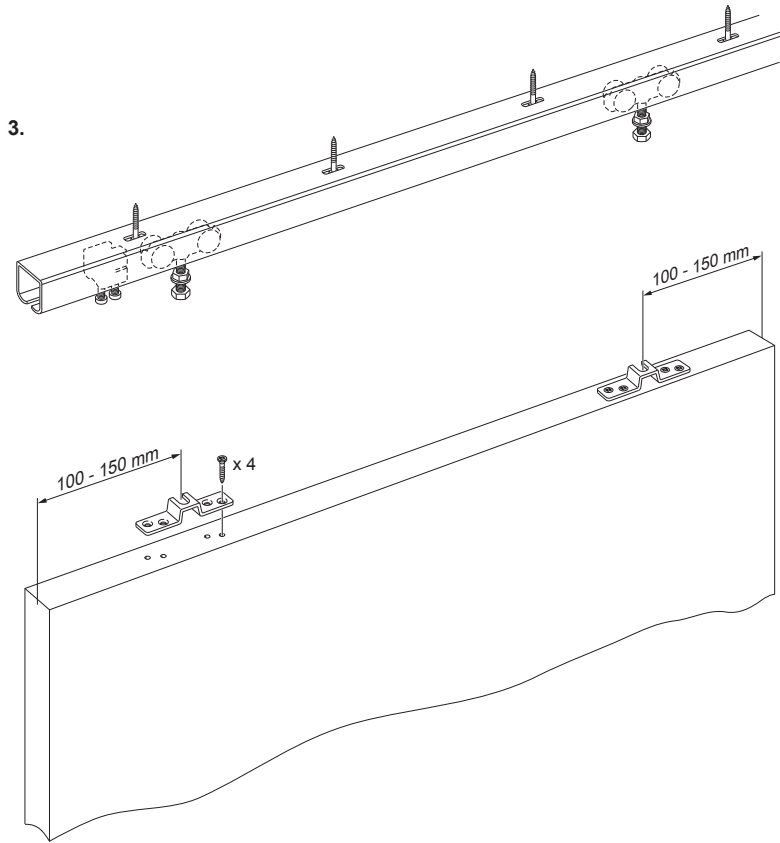
**935000:**  
Max door weight 50kg  
**935001:**  
Max door weight 80kg

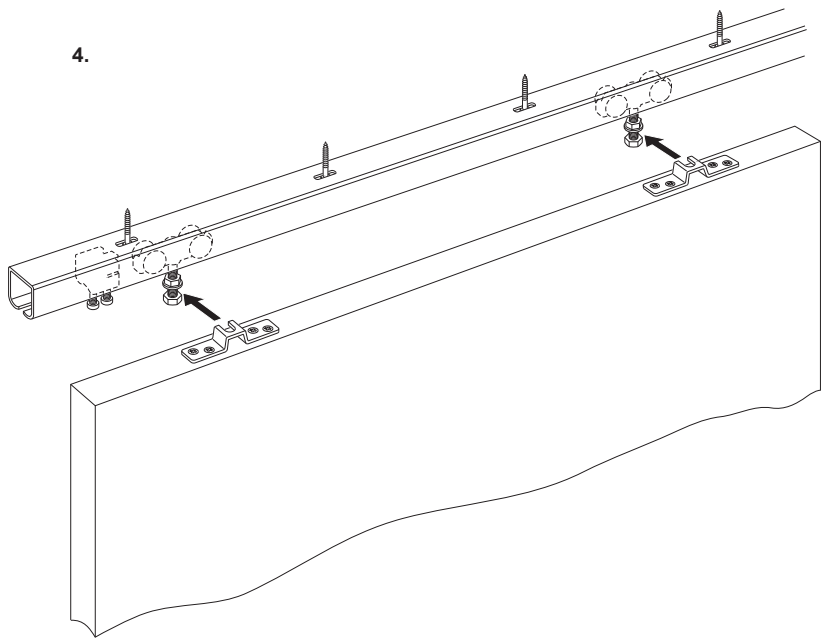
1.

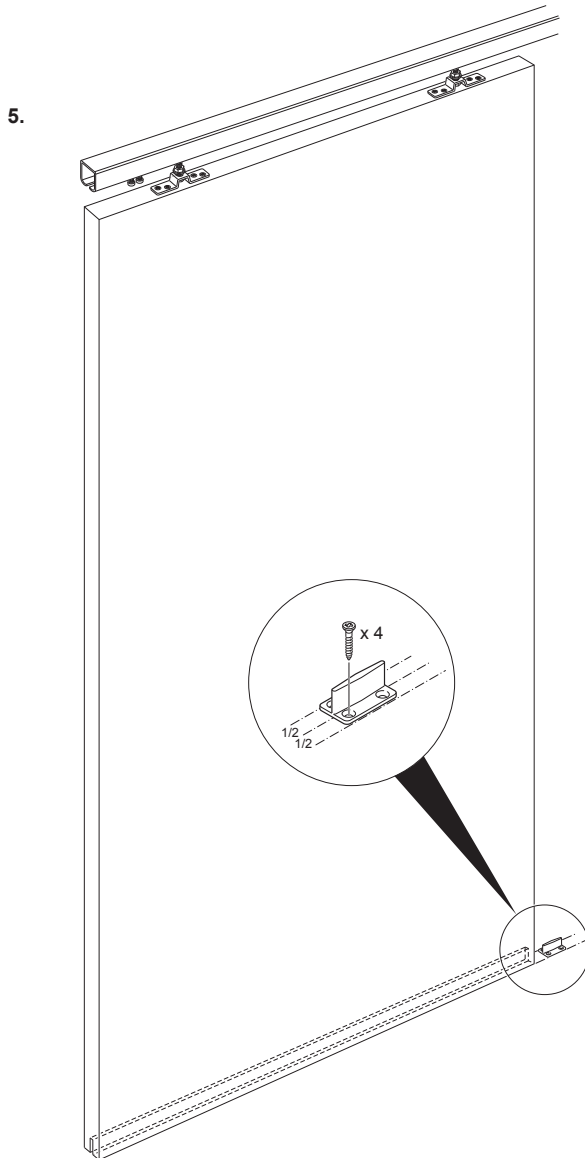


2.

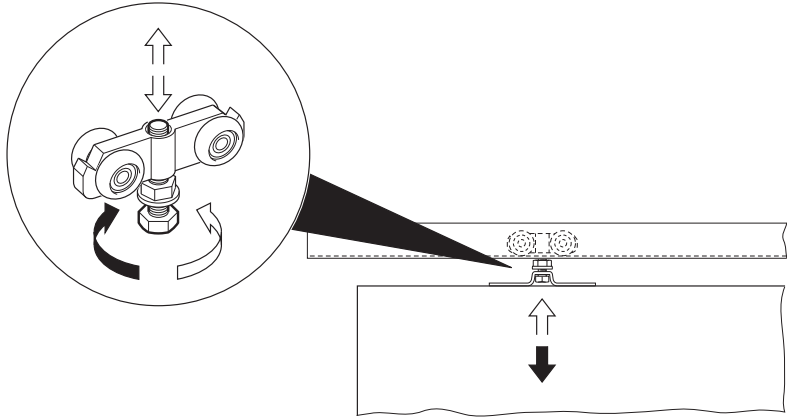




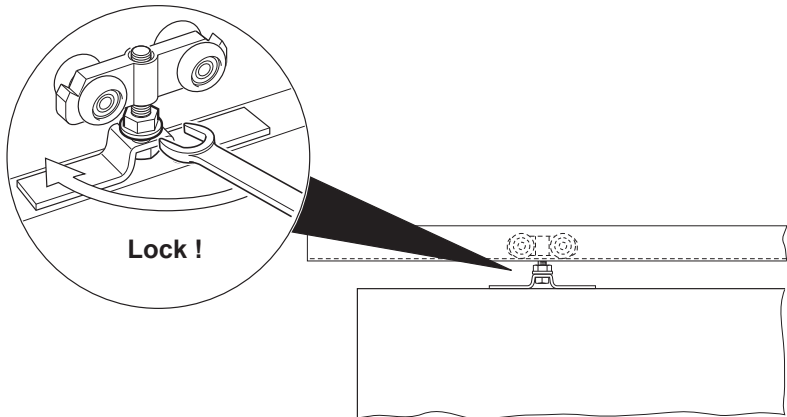




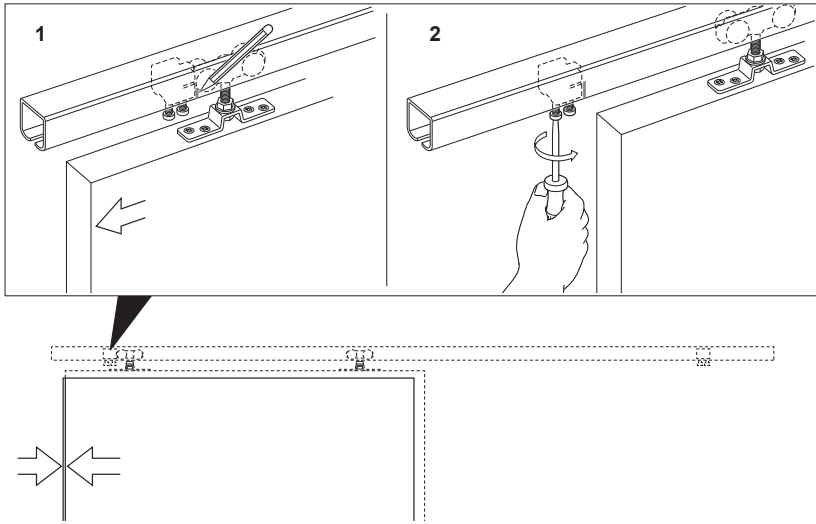
6a.



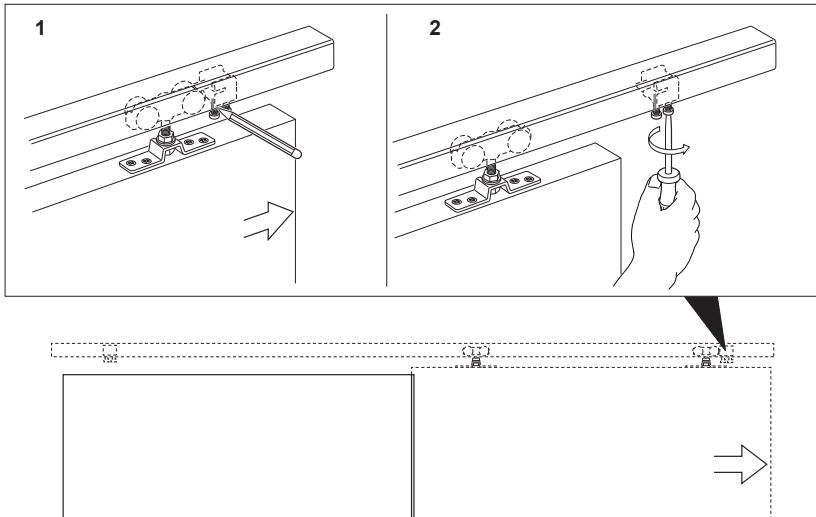
6b.



7a.



7b.





---

[rocaindustry.com](http://rocaindustry.com) | [info@rocaindustry.com](mailto:info@rocaindustry.com)